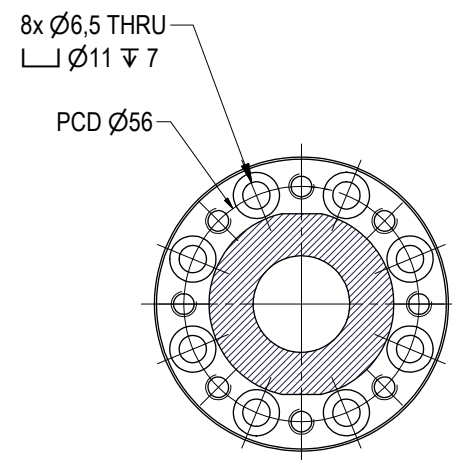


NOTE: 1  
DESIGN CODE:  
N/A

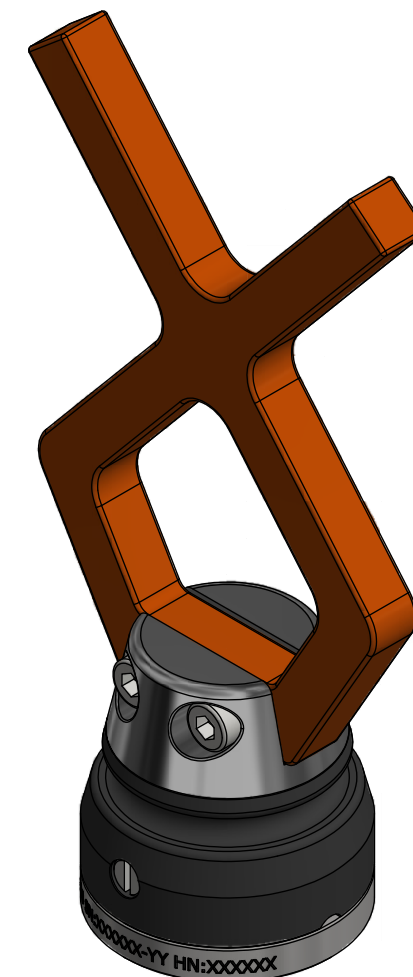
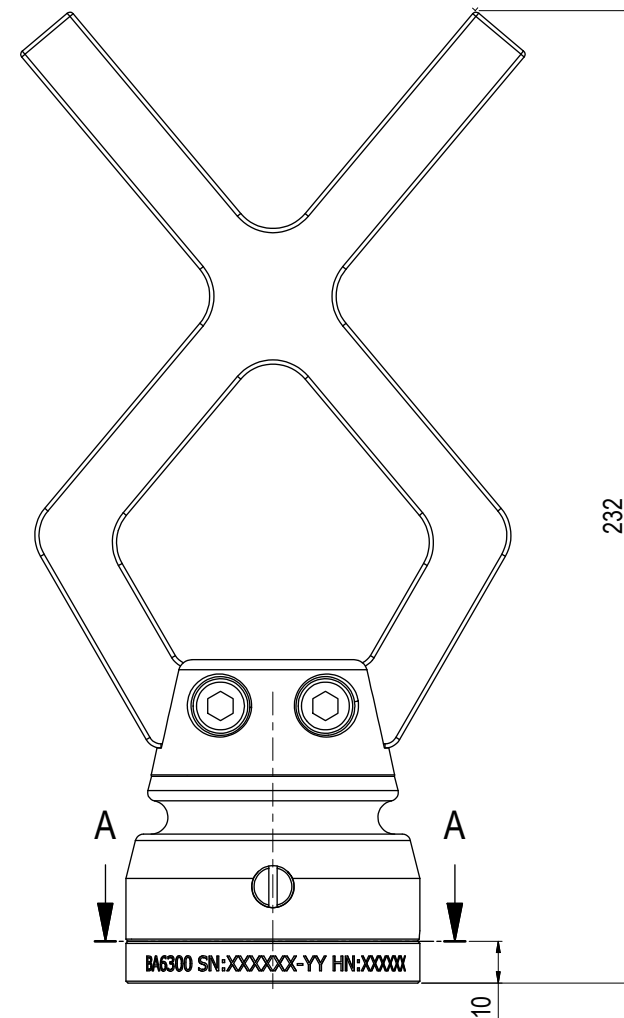
NOTE: 2  
TECHNICAL CLASSIFICATION:  
Article Type: 002-ROV handles  
Main Group: 2.01. Stab-Handel  
Intermediate Group: 2.7.01. Fishtail  
Sub Group: 2.7.27.02. Long-term

NOTE: 3  
INTERFACE INFORMATION:  
Pressure Rating Bar: N/A  
Material: Long-term  
Weight: 1,8 kg  
Volume: 0,3 dm<sup>3</sup>  
Surface Area: 829 cm<sup>2</sup>  
Hydraulic: N/A  
Mechanical: N/A  
Electrical: N/A  
Com. & Protocol: N/A

Max Torque: 300Nm  
Max Axial Pull Force: 12000N  
Max Horizontal Force on Outer Edge: 5000N



SECTION A-A



Rev.	Date	Reason for issue	Revision change	Made	Chk'd	Appr.
02	22.9.2022	7-IFC (Issued for Construction)		WTJ	HNJ	WTJ
01	1.12.2015	7-IFC (Issued for Construction)		HNJ	WTJ	HNJ



Dwg Scale:  
NTS  
Dwg Proj:  
Dwg Format:  
A3

Drawing title:  
Fishtail Handle w/nterface SD

Drawing number:  
BA7695

Rev:  
02